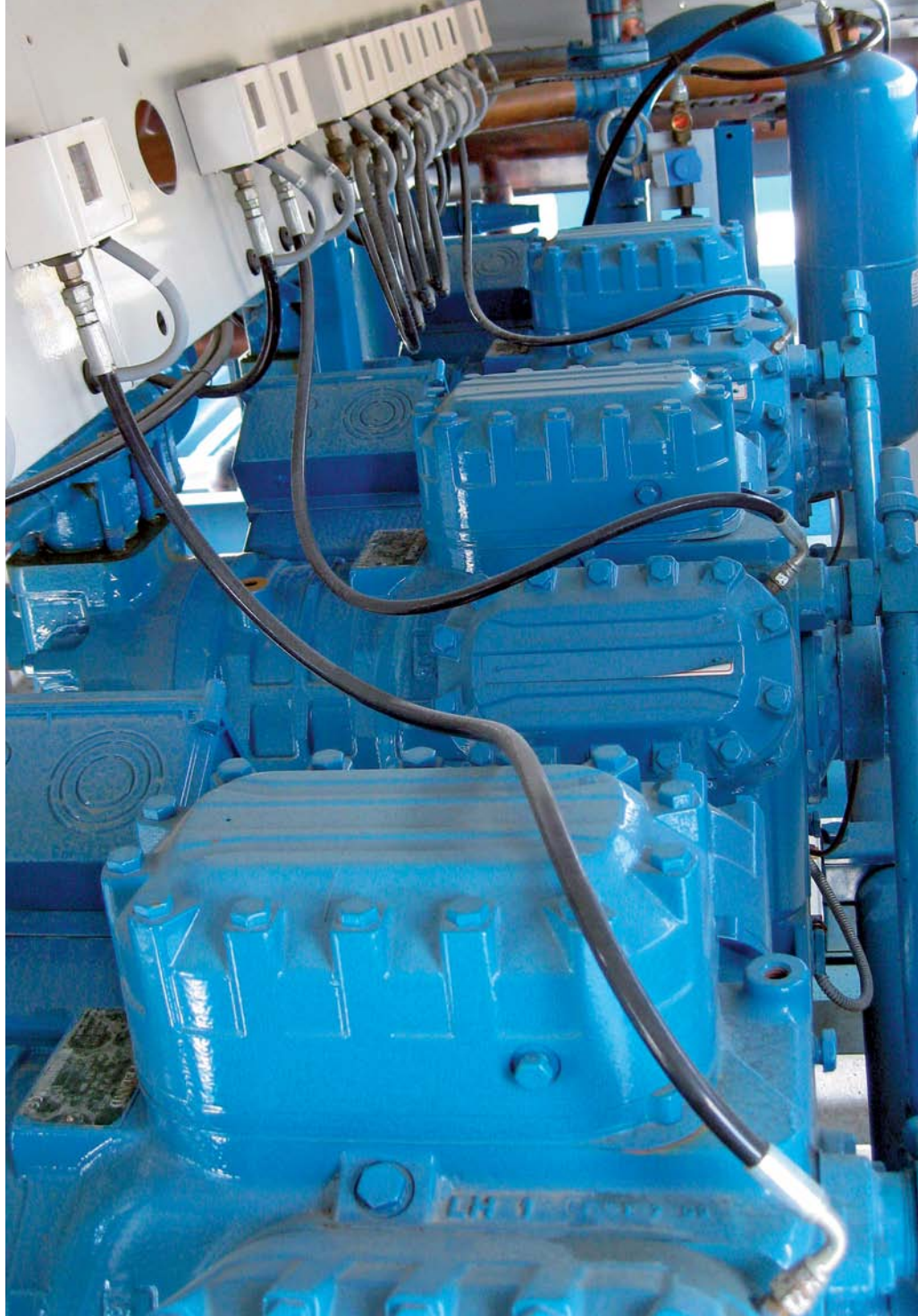




aerospace  
climate control  
electromechanical  
filtration  
fluid & gas handling  
hydraulics  
pneumatics  
process control  
sealing & shielding



# Refrigeration and Air Conditioning

T- Hoses, Flexible Thermoplastic  
Capillary Hoses



ENGINEERING YOUR SUCCESS.

# HVAC and Refrigeration Market

The T-Hose flexible thermoplastic capillary hose, is the proper answer to all requirement of air conditioning and refrigeration of fast and reliable connection.

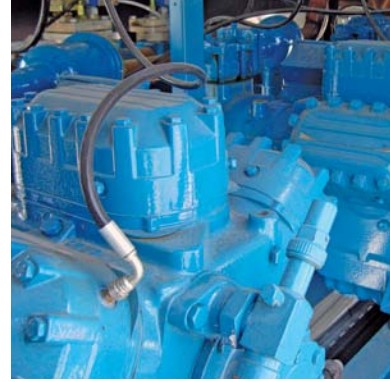
## Advantages

- High flexibility and strength
- Condenser noise reduction in comparison with the classic application (vibration Damper, Muffler)
- Strong reduction of vibrations transmission
- Time saving for system construction: no welded connections (copper tubes, copper flanges, etc.)
- Improved system quality and reliability

## Description of Applications

Our T-hose is a smooth flexible thermoplastic capillary hose reinforced hose with a special anti-abrasion, heat and weather resistant black cover.

The T-Hose flexible consist also in the most practical and efficient way to connect to your system pressure gauges, pressure switches and pressure test points.



# T- Hose 2 & 4 mm - Fittings

## Connection for System Pressure Gauges, Pressure Switches and Pressure Test Points

### Complete Kits - ID 2 mm

Kit Code	Description	Quantity	
82500053	Hose Kit 1 (2 mm): Complete Crimp Straight Fitting 1/4" SAE Kit for ID 2 mm Capillary consisting of:	Insert 7/16" CAP 2 X 6	50
		Nut Brass 7/16" - 20 CH = 14	50
		Trumpet Copper Gasket	50
		Sleeve 2 mm	50
82500061	Hose Kit 2 (2 mm): Complete Crimp Angled Fitting 1/4" SAE Kit for ID 2 mm Capillary consisting of:	INS K90 H = 28 7/16" 5127DL DN2	50
		Trumpet Copper Gasket	50
		Sleeve	50
82500062	Hose Kit3 (2 mm): Complete Tee Nipple Kit for ID 2 mm. Capillary consisting of:	Tee Nipple	50
		Sleeve	150
82500098	Hose Kit 4 (2 mm): Complete Tee Nipple with one Female 1/4" SAE Kit for ID 2 mm Capillary consisting of:	Tee Female Nipple	50
		Trumpet Copper Gasket	50
		Sleeve	100
82500104	Hose Kit 5 (2 mm): Complete 180° Nipple with one Female 1/4" SAE Kit for ID 2mm Capillary consisting of:	180° Tee Female nipple	50
		Trumpet Copper Gasket	50
		Sleeve	100

### Spare Parts - ID 2 mm

Kit Code	Description	Quantity
81910053	Insert 7/16" CAP 2 X 6 (1000)	1 000
81910054	Nut Brass 7/16" -2 0 CH = 14 (1000)	1 000
81910055	Trumpet Copper Gasket	1 000
81910052	Sleeve (1000)	1 000
81910061	INS K90 H =2 8 7/16" 5127DL DN2 (500)	500
81910062	Tee Nipple 2 mm (500)	500
81910098	Tee Female Nipple 7/16 (500 Pieces)	500
81910104	180 Tee Nipple (500 Pieces)	500

### Complete Kits - ID 4 mm

Kit Code	Description	Quantity	
84500045	Hose Kit 1 (4 mm): Complete Crimp Straight Fittings 1/4" SAE for ID 4 mm Capillary consisting of:	Straight Insert 4 mm	50
		Nut	50
		Trumpet Copper Gasket in 4 mm	50
		Sleeve 4 mm	50
84500057	Hose Kit 2 (4 mm): Complete Crimp Angled Fittings 1/4" SAE for ID 4 mm Capillary consisting of:	INS K90 H = 28 7/16" 5127DL DN2	50
		Trumpet Copper Gasket	50
		Sleeve 4 mm	50

### Spare Parts (1000 pieces) - ID 4 mm

Kit Code	Description	Quantity
81905012	Depressor Kit: Depressor - 1 000 pieces	1 000
81910045	INS. E 7/16" X 5127CAP.DN 4 X 8 (1000 pieces)	1 000
81910057	INS. K90 H = 28 7/16" 5127DL DN 4	1 000

# T- Hose 2 & 4 mm - Fittings

## Connection for System Pressure Gauges, Pressure Switches and Pressure Test Points

### Hose Lengths

Part Number	Hoses - mm	Length - m	Quantity
81920020	2	200	1
81902020	2	20	1
81920040	4	200	1
81902040	4	20	1

### Crimper Tool

Part Number	Crimper	Quantity
81900165	2 mm Manual Crimper	1

### Technical Specifications

Parameter	Value	Description
Leak Rate	< 5 g / Year	< 5g / m year as per SAE J2064 Par 5.2
Maximum Working Pressure	50 bar	or 725 psi
Minimum Working Pressure	-1 bar	-
Minimum Burst Pressure	250 bar	or 3625 psi
Maximum Working Temperature	130°C	-
Minimum Working Temperature	-40°C	-
Minimum Ambient Temperature	-30°C	-
Maximum Ambient Temperature	50°C	-
Refrigerant	R410A - R407C - R134A R404A - R507	R410A and 407C with polyvinylether oil or hard alkylbenzen oil R134A - R404A - R407C - R410A - R507 with polyolester oil or mineral oils, alkylbenzen oil
Minimum Bending Radius	-	-
Torque	-	-
UL 1963 Section 46.12	Yes	-
PED Cat. 0 (SEP)	Yes	-
Vacuum Flatening	Yes	SAE J2064 Par 5.6
Burst Strength Test	315 bar	SAE J2064 Par 5.8
Cleanliness Test	< 270 mg / m <sup>2</sup>	SAE J2064 Par 5.12
Impulse Test	150 000 cycles	From 0 to 34.5 bar (500 psi) @ 125°C

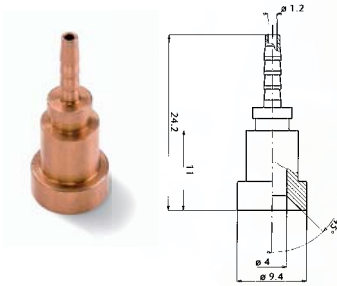
### Hose Kits Suitcase

Part Number	Kits Included	Quantity	Description	Quantity
81910096	Hose Kit 1 (2 mm): Complete Crimp Straight Fitting 1/4" SAE Kit for ID 2 mm. Capillary consisting of:	1	Insert 7/16" CAP 2 X 6	50
			Nut Brass 7/16" - 20 CH = 14	50
			Trumpet Copper Gasket	50
	Hose Kit 2 (2 mm): Complete Crimp Angled Fitting 1/4" SAE Kit for ID 2 mm Capillary consisting of:	1	Sleeve 2mm.	50
			INS K90 H = 28 7/16" 5127DL DN2	50
			Trumpet Copper Gasket	50
	Hose Kit 3 (2 mm): Complete Tee Nipple Kit for ID 2 mm - Capillary consisting of:	1	Sleeve	50
			Tee Nipple	50
			Sleeve	150

# T- Hose 2 & 4 mm - Fittings

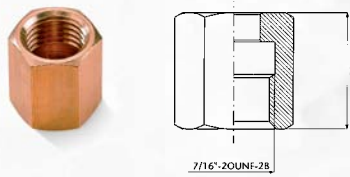
## Complete Kits and Spare Parts - ID 2 mm

➤➤ Insert 7/16" CAP 2 X 6  
(1000)



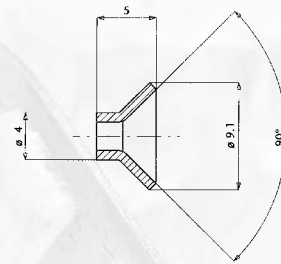
PN: 81910053

➤➤ Nut Brass 7/16"  
20 CH = 14  
(1000)



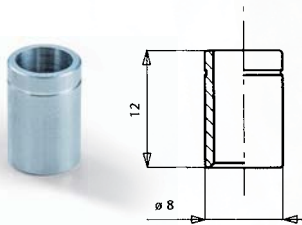
PN: 81910054

➤➤ Trumpet Copper Gasket  
(50)



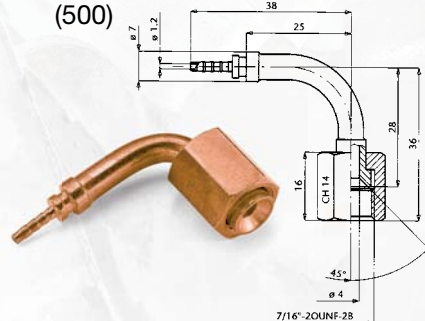
PN: 81910055

➤➤ Sleeve mm  
(1000)



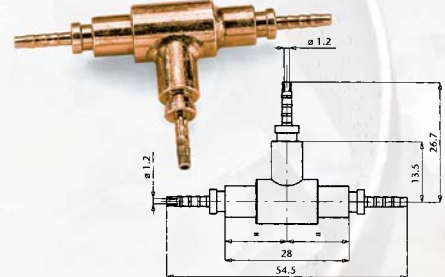
PN: 81910052

➤➤ INS K90 H = 28 7/16"  
5127DL DN2  
(500)



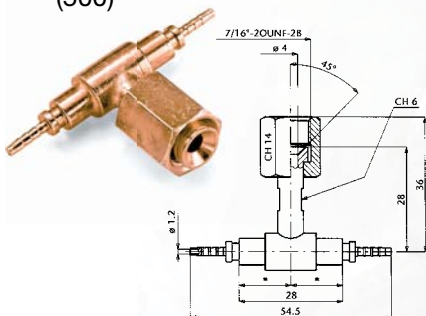
PN: 81910061

➤➤ Tee Nipple 2 mm  
(500)



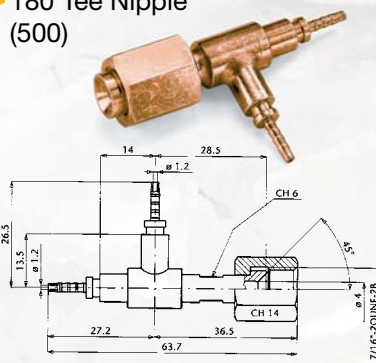
PN: 81910062

➤➤ Tee Female Nipple 7/16"  
(500)



PN: 81910098

➤➤ 180 Tee Nipple  
(500)

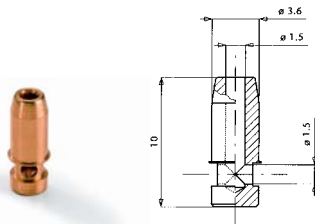


PN: 81910104

# T- Hose 2 & 4 mm - Fittings

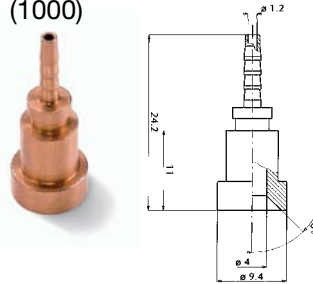
## Complete Kits and Spare Parts - ID 4 mm

>>> Depressor Kit: Depressor (1.000)



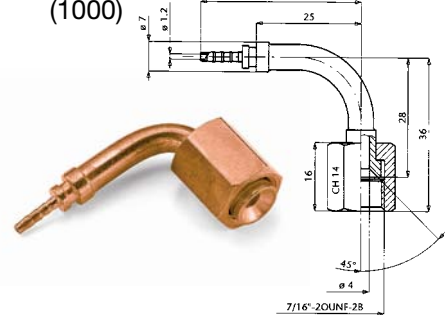
PN: 81905012

>>> INS. E 7/16" X 5127 CAP. DN4X8 (1000)



PN: 81900045

>>> INS.K90 H = 28 7/16" 5127DL DN 4 (1000)



PN: 81910057

## Crimper

>>> 2 mm Crimper



PN: 81900165

### Crimping Diameter Specification:

The following must be obtain after crimping:

For a 2 mm hose,  
press diameter  
of the sleeve must be:  
7.3 mm  $\pm$  0.1

For a 4 mm hose,  
press diameter  
of the sleeve must be:  
10.4 mm  $\pm$  0.1



#### WARNING - USER RESPONSIBILITY

FAILURE OR IMPROPER SELECTION OR IMPROPER USE OF THE PRODUCTS DESCRIBED HEREIN OR RELATED ITEMS CAN CAUSE DEATH, PERSONAL INJURY AND PROPERTY DAMAGE.

- This document and other information from Parker-Hannifin Corporation, its subsidiaries and authorized distributors provide product or system options for further investigation by users having technical expertise.
- The user, through its own analysis and testing, is solely responsible for making the final selection of the system and components and assuring that all performance, endurance, maintenance, safety and warning requirements of the application are met. The user must analyze all aspects of the application, follow applicable industry standards, and follow the information concerning the product in the current product catalog and in any other materials provided from Parker or its subsidiaries or authorized distributors.
- To the extent that Parker or its subsidiaries or authorized distributors provide component or system options based upon data or specifications provided by the user, the user is responsible for determining that such data and specifications are suitable and sufficient for all applications and reasonably foreseeable uses of the components or systems.



# Parker's Motion & Control Technologies

At Parker, we're guided by a relentless drive to help our customers become more productive and achieve higher levels of profitability by engineering the best systems for their requirements. It means looking at customer applications from many angles to find new ways to create value. Whatever the motion and control technology need, Parker has the experience, breadth of product and global reach to consistently deliver. No company knows more about motion and control technology than Parker. For further info call 00800 27 27 5374



## Aerospace Key Markets

Aftermarket services  
Commercial transports  
Engines  
General & business aviation  
Helicopters  
Launch vehicles  
Military aircraft  
Missiles  
Power generation  
Regional transports  
Unmanned aerial vehicles

## Key Products

Control systems & actuation products  
Engine systems & components  
Fluid conveyance systems & components  
Fluid metering, delivery & atomization devices  
Fuel systems & components  
Fuel tank inerting systems  
Hydraulic systems & components  
Thermal management  
Wheels & brakes



## Climate Control Key Markets

Agriculture  
Air conditioning  
Construction Machinery  
Food & beverage  
Industrial machinery  
Life sciences  
Oil & gas  
Precision cooling  
Process  
Refrigeration  
Transportation

## Key Products

Accumulators  
Advanced actuators  
CO<sub>2</sub> controls  
Electronic controllers  
Filter driers  
Hand shut-off valves  
Heat exchangers  
Hose & fittings  
Pressure regulating valves  
Refrigerant distributors  
Safety relief valves  
Smart pumps  
Solenoid valves  
Thermostatic expansion valves



## Electromechanical Key Markets

Aerospace  
Factory automation  
Life science & medical  
Machine tools  
Packaging machinery  
Paper machinery  
Plastics machinery & converting  
Primary metals  
Semiconductor & electronics  
Textile  
Wire & cable

## Key Products

AC/DC drives & systems  
Electric actuators, gantry robots & slides  
Electrohydraulic actuation systems  
Electromechanical actuation systems  
Human machine interface  
Linear motors  
Stepper motors, servo motors, drives & controls  
Structural extrusions



## Filtration Key Markets

Aerospace  
Food & beverage  
Industrial plant & equipment  
Life sciences  
Marine  
Mobile equipment  
Oil & gas  
Power generation & renewable energy  
Process  
Transportation  
Water Purification

## Key Products

Analytical gas generators  
Compressed air filters & dryers  
Engine air, coolant, fuel & oil filtration systems  
Fluid condition monitoring systems  
Hydraulic & lubrication filters  
Hydrogen, nitrogen & zero air generators  
Instrumentation filters  
Membrane & fiber filters  
Microfiltration  
Sterile air filtration  
Water desalination & purification filters & system



## Fluid & Gas Handling

### Key Markets

Aerial lift  
Agriculture  
Bulk chemical handling  
Construction machinery  
Food & beverage  
Fuel & gas delivery  
Industrial machinery  
Life sciences  
Marine  
Mining  
Mobile  
Oil & gas  
Renewable energy  
Transportation

### Key Products

Check valves  
Connectors for low pressure fluid conveyance  
Deep sea umbilicals  
Diagnostic equipment  
Hose couplings  
Industrial hose  
Mooring systems & power cables  
PTFE hose & tubing  
Quick couplings  
Rubber & thermoplastic hose  
Tube fittings & adapters  
Tubing & plastic fittings



## Hydraulics

### Key Markets

Aerial lift  
Agriculture  
Alternative energy  
Construction machinery  
Forestry  
Industrial machinery  
Machine tools  
Marine  
Material handling  
Mining  
Oil & gas  
Power generation  
Refuse vehicles  
Renewable energy  
Truck hydraulics  
Turf equipment

### Key Products

Accumulators  
Cartridge valves  
Electrohydraulic actuators  
Human machine interfaces  
Hybrid drives  
Hydraulic cylinders  
Hydraulic motors & pumps  
Hydraulic systems  
Hydraulic valves & controls  
Hydrostatic steering  
Integrated hydraulic circuits  
Power take-offs  
Power units  
Rotary actuators  
Sensors



## Pneumatics

### Key Markets

Aerospace  
Conveyor & material handling  
Factory automation  
Life science & medical  
Machine tools  
Packaging machinery  
Transportation & automotive

### Key Products

Air preparation  
Brass fittings & valves  
Manifolds  
Pneumatic accessories  
Pneumatic actuators & grippers  
Pneumatic valves & controls  
Quick disconnects  
Rotary actuators  
Rubber & thermoplastic hose & couplings  
Structural extrusions  
Thermoplastic tubing & fittings  
Vacuum generators, cups & sensors



## Process Control

### Key Markets

Alternative fuels  
Biopharmaceuticals  
Chemical & refining  
Food & beverage  
Marine & shipbuilding  
Medical & dental  
Microelectronics  
Nuclear Power  
Offshore oil exploration  
Oil & gas  
Pharmaceuticals  
Power generation  
Pulp & paper  
Steel  
Water/wastewater

### Key Products

Analytical Instruments  
Analytical sample conditioning products & systems  
Chemical injection fittings & valves  
Fluoropolymer chemical delivery fittings, valves & pumps  
High purity gas delivery fittings, valves, regulators & digital flow controllers  
Industrial mass flow meters/ controllers  
Permanent no-weld tube fittings  
Precision industrial regulators & flow controllers  
Process control double block & bleeds  
Process control fittings, valves, regulators & manifold valves



## Sealing & Shielding

### Key Markets

Aerospace  
Chemical processing  
Consumer  
Fluid power  
General industrial  
Information technology  
Life sciences  
Microelectronics  
Military  
Oil & gas  
Power generation  
Renewable energy  
Telecommunications  
Transportation

### Key Products

Dynamic seals  
Elastomeric o-rings  
Electro-medical instrument design & assembly  
EMI shielding  
Extruded & precision-cut, fabricated elastomeric seals  
High temperature metal seals  
Homogeneous & inserted elastomeric shapes  
Medical device fabrication & assembly  
Metal & plastic retained composite seals  
Shielded optical windows  
Silicone tubing & extrusions  
Thermal management  
Vibration dampening

ENGINEERING YOUR SUCCESS.

# Parker Worldwide

## United Arab Emirates Middle East

**Sarkis OHANNESSIAN**  
sohannessian@parker.com  
Tel: (961) 3334622

## Germany, Central Europe German speaking part of Switzerland

**Peter GROLLA**  
peter.grolla@parker.com  
Tel: +49 (0)171 76 28 417

## Spain Portugal

**José-Luis BORRALLO**  
Tel: +34 660 416 702  
jlborrallo@parker.com

## France, Belgium, North Africa French speaking part of Switzerland

**Eliane EMERIT-BONNOT**  
Tel: +33 (0)6 73 89 36 01  
ebonnot@parker.com

## Italy, Greece, Malta, Cyprus Italian speaking part of Switzerland

**Andrea BRAGA**  
abraga@parker.com  
Tel: +39 334 6944386

## Turkey

**Gokhan GENCEROĞLU**  
Tel: +90 530 463 95 35  
gokhan.genceroglu@parker.com

## United Kingdom, Ireland, Northern Europe, Baltic, The Netherlands

**Angus MACKINTOSH**  
Tel: +44 78816 22322  
amackintosh@parker.com

## Russia, Eastern Europe

**Kenny ADAMSON**  
Tel: +44 77853 71229  
kadamson@parker.com

## South Africa

**Alan QUINN**  
Tel: +44 79742 37447  
aquinn@parker.com

## Customer Service:

**Parker Hannifin Ltd**  
Climate and Industrial Controls Group  
Refrigeration and Air Conditioning Europe  
Cortonwood Drive, Brampton  
Barnsley S73 0UF - United Kingdom  
Tel +44 (0) 1226 273400  
Fax +44 (0) 1226 273401  
racecustomerservice@parker.com  
www.parker.com/race



Your local authorized Parker distributor

