

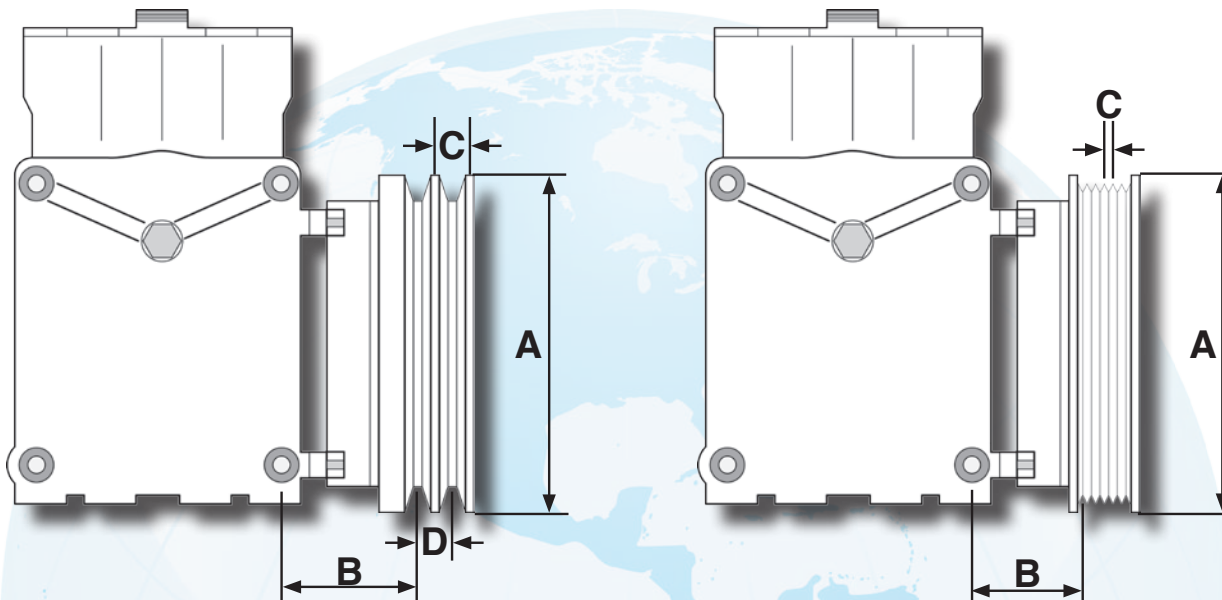


ENVIRONMENTAL
TECHNOLOGIES

YORK/TCCI COMPRESSOR CLUTCH SPECIFICATIONS



If part number on clutch is unknown...use the following to determine the proper clutch.



- Determine Clutch Groove Type
- Determine if 12v or 24v
- Measure Outside Diameter of Pulley "A"
- Measure Width of Pulley "C"
- Measure the "B" Dimension Accurately
- "D" Dimension is 0.62" on all 2gr Clutches
- All Keys are 5/32"

PULLEY O.D (Inches)	PULLEY GROOVES	WIDTH (Inches)	GAUGE (Inches)	VOLTS	DESCRIPTION	OMEGA
5.29	PV8	0.14	1.625	12	CLUTCH ASSY 5.29in PV8 12V YORK 3 SPRING	22-11006
5.75	PV6	0.14	2	12	CLUTCH NAVISTAR 5.75 DIA. 6 GROOVE 2 WIRE CCI COMP	22-11325
5.75	PV6	0.14	2	12	CLUTCH ASSY YORK PV6 5.75in 12V	22-11345
6	PV6	0.14	1.625	12	CLUTCH NAVISTAR PV6 6in 12V 2 WIRE YORK COMP	22-11304
6	1	0.5	2.75	12	CLUTCH YORK TYPE 12V 6INCH .50 SINGLE GRV	22-11096
6	1	0.5	2.75	12	CLUTCH HD TRUCK 6in 1GR 12V OGUURA 508888	22-10528
6	2	0.5	1.625	12	CLUTCH HD 6in 3 SPRING YORK 12V	22-11023
6	2	0.5	1.625	12	CLUTCH YORK 2A 6in 2 WIRE KENWORTH	22-11295
6	2	0.5	1.625	12	CLUTCH ASSY 6in 2A 12V YORK 3 SPRING	22-11002
6	2	0.5	2.25	24	CLUTCH ASSY 6.00in 2A 24V YORK TECUMSEH	22-11012
6	2	0.5	2.312	12	CLUTCH ASSY YORK 6in 2A 12V 6 SPRINGS	22-11018
6.125	PV6	0.14	2	12	CLUTCH YORK PV6 12V IHC#1687780C91	22-11114
6.125	PV8	0.14	1.937	12	CLUTCH YORK PV8 12V 2WIRE W/DIODE 6 1/8in	22-11289
6.25	1	0.625	2.687	12	CLUTCH YORK TYPE NAVISTAR 1 GR W/ 5/8in BELT	22-20209
6.75	1	0.5	2.75	12	CLUTCH ASSY FORD C-SERIES 78-65	22-11143
6.75	1	0.5	3.125	12	CLUTCH ASSY AUTOCAR 84-66 CUMMINS N SERIES	22-11137
6.75	1	0.625	1.75	12	CLUTCH ASSY KENWORTH 82-69 K-SERIES C.O.F.	22-11144
6.75	1	0.625	2	12	CLUTCH AUTOCAR 84-66 SERIES A AT DC & DK	22-11140
6.75	1	0.625	3.125	12	CLUTCH 69-81 AUTOCAR TRUCK AND FARM	22-11136
6.75	1	0.687	2.687	12	CLUTCH ASSY 1BGR 6.75in 12V	22-11110
7	2	0.5	1.625	12	CLUTCH 7in 2A 12V YORK TECUMSEH	22-11001
7	2	0.5	2.25	24	CLUTCH ASSY 7in 2A 24V YORK TECUMSEH	22-11017
7.25	1	0.75	2	12	CLUTCH HD 80-85 MACK & PETERBILT	22-10539

Omega Environmental Technologies • 1401 Valley View Lane, Suite 100 • Irving, Texas 75061

Main: 972.812.7000 • Fax 972-314-9567 • Toll Free Phone: 888.286.6342

www.omega-usa.com